

# IO-10

## 15-50 HP

**inovair**<sup>®</sup>  
Geared Centrifugal Blowers

## MOST EFFICIENT, RELIABLE & CAPABLE BLOWER

The **Inovair IO-10** is the industry's first high efficiency centrifugal blower for low HP (15-50 HP) wastewater applications. This modern design delivers reduced energy consumption, reduced noise/pulsations, less frequent maintenance and improved durability. The innovative and proven **1200 gearcase** is extremely cost effective and allows the use of a belt drive with automatic tension for an extremely compact footprint, and changes to pulley specifications to eliminate the cost of a VFD. This design also allows the use of off-the-shelf economical TEFC motors, and an extremely simple control system. Thanks to these innovations, the benefits of a modern high efficiency centrifugal design are finally available for lower HP wastewater applications.

- THE FIRST HIGH EFFICIENCY CENTRIFUGAL FOR LOWER HP WASTEWATER APPLICATIONS
- CAN ACHIEVE 10-25% ENERGY SAVINGS RELATIVE TO PD BLOWERS
- LOW COST OF OWNERSHIP
- EXTREMELY DURABLE DESIGN
- COMPACT FOOTPRINT

## COMPACT HIGH EFFICIENCY FOR PACKAGED PLANTS AND LOW HP APPLICATIONS

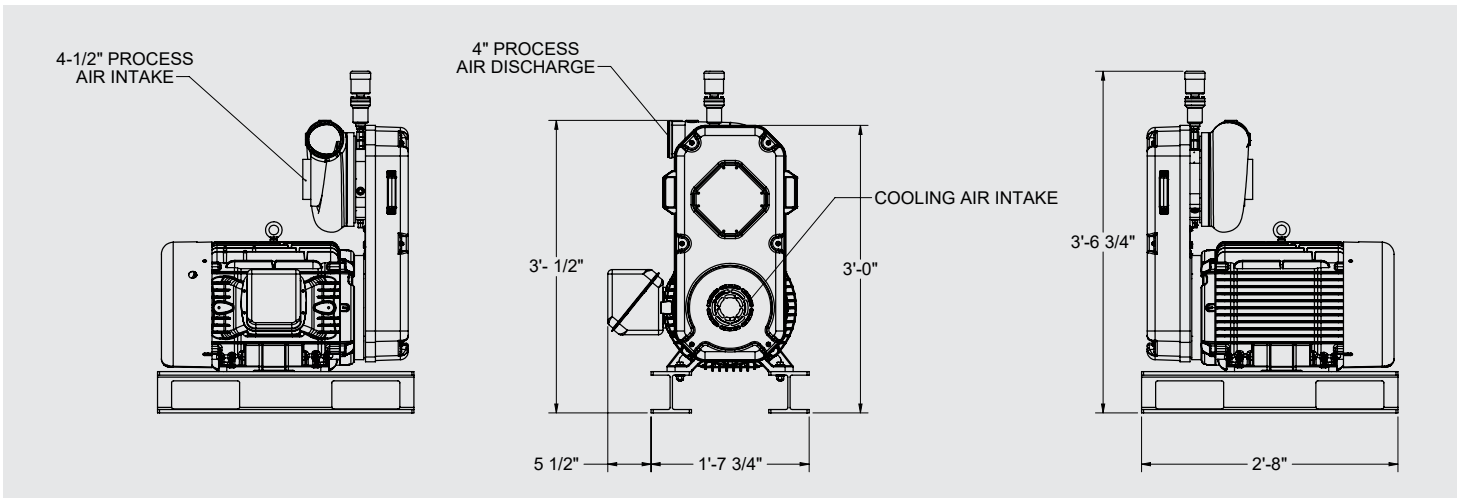
- Together with the **IM-10**, the only high efficiency blowers which can be "dis-integrated", able to use virtually any electric motor, VFD and control system
- Local or OEM system controls
- Designed, manufactured and supported in the USA by **Inovair**, a vertically integrated manufacturer



## TECHNICAL SPECS

|                  |                                  |
|------------------|----------------------------------|
| Flow Capacity:   | 150-1200 scfm                    |
| Design Pressure: | Up to 8 psig                     |
| Turndown Ratio:  | Up to 2:1                        |
| Motor Power:     | 15-50 HP                         |
| Drive:           | Standard VFD                     |
| Input Power:     | 230V-575V, 60 Hz                 |
| Impeller:        | 5-axis machined 7075-T6 Aluminum |
| Control System:  | Integrated Touchscreen PLC       |

**$\eta$  = Efficiency**<sup>™</sup>



## INOVAIR ADVANTAGES

- Energy efficient (~80% isentropic)
- Maintenance-friendly
- Engineered and built in the USA
- Capable of multiple start/stop cycles every hour
- Open and Enclosed option for indoor or outdoor installation
- Low noise option
- Can achieve 10–25% energy savings
- Cost effective design to compete against PD blowers at lower HP levels

## EASE OF MAINTENANCE

Inovair products are designed to be maintained in the field by the equipment operator in just a few minutes. All our maintenance tasks have instructional videos on our website. Total cost of ownership includes the cost of servicing the unit for the useful life. Inovairs products are engineered to require the least effort and lowest cost to maintain.

## INDUSTRY-LEADING SUPPORT

Should an issue arise, **Inovair** technical and customer service, located at our headquarters in Kansas City, is ready to assist immediately. Our customers rave about the service **Inovair** provides before, during, and after the installation. Visit our website for testimonials on our superior service.

## DESIGNED, MANUFACTURED, & SERVICED IN THE USA



When it comes to a supplier's ability to deliver quality and availability, location matters. **Inovair** is not only headquartered in the heartland of America, but most operations, from engineering to manufacturing to service, are within the same facility. Our vertical integration means

shorter leadtimes for parts and manufacturing. This creates a collaborative environment with lean design, manufacturing, and servicing practices. This product is also available for purchase direct from the **Inovair** factory.

## TOP MANUFACTURER FOR DECADES

**Inovair** has built a reputation over the past nearly 30 years for quality and excellence. As the **#1 player** in forced-air deicing, exclusive supplier to the US military and considered the "gold standard" for commercial airlines, **Inovair** is a trusted manufacturing partner. Our products are well known in the wastewater and general industrial industries

for offering superior technologies and overall lowest cost of ownership. To complement our engineering efforts, we lean on our nearly 30 years of dominance as the leading automotive aftermarket supercharger supplier, where we serve applications up to 4000 hp in the most severe duty cycles imaginable.

