

# inovair®

## Geared Centrifugal Blowers

# 1200GS

# 15-60 HP

## MOST EFFICIENT, RELIABLE & CAPABLE BLOWER

Get the ultimate in performance and durability with the **Inovair 1200GS**. Its advanced aerodynamics, with three models available and over a dozen aero-stages to choose from, offers the most optimal solution for your application. The unique drive system reduces belt wear and stress, and allows higher pressure and a broader operating range. Together, the efficiency and reliability lower your total cost of ownership.

## MARKET-LEADING TECHNOLOGY

**Inovair's** compact centrifugal blowers lead the market. With performance, durability, and ease of use paramount in our design and development process, you will not find a better blower than **Inovair's**. Optimized for flow and efficiency, the **1200GS-Series** delivers up to **1600 scfm** and **8 psig** pressure, with peak isentropic efficiencies up to 81%. After nearly 30 years and over 35 patents developing and manufacturing centrifugal blowers, **Inovair** has proven durability on even the most challenging applications. Whatever your duty cycle requires, **Inovair** will deliver. Hands down, it will outperform the competition.

## TECHNICAL SPECS

Flow Capacity:	up to 1600 scfm
Design Pressure:	Up to 8 psig
Motor Power:	up to 60 HP
Drive:	50/60 Hz VFD
Operational Temps:	-40°F to 160°F
Input Power:	230V-575V, 60 Hz
Impeller:	5-axis machined 7075-T6 Aluminum
Lubrication:	Centrifugally directed oil mist system
Seals:	Aerospace-grade seals



## INOVAIR ADVANTAGES

- Highest Reliability
- Class-leading Efficiency
- Compact and Flexible Design
- Vertical and Horizontal Orientation
- Greatest Pressure Range
- Industry Leading Support
- Easy Maintenance
- Designed and Made In The USA

## HIGHEST EFFICIENCY AERODYNAMICS

With decades of experience and proven capabilities, **Inovair** is able to deliver best-in-class efficiency and durability for your demanding applications. This high efficiency, thanks to state-of-the-art compressor and gearbox designs, helps optimize both performance and energy consumption. From the impeller blade shapes and volute clearances to the materials and manufacturing processes employed, **Inovair** provides reliable performance matched perfectly and uniquely to each application.

## MORE ROBUST DESIGNS & MANUFACTURING

The **1200GS** utilizes a rugged single-stage gearbox design with high precision helical gears and angular contact bearings, and a state-of-the-art aerospace carbon seal for oil-free air. Impellers are designed in-house and manufactured from **7075 T-6** aircraft aluminum on **Inovair's** 5-axis CNC mills, which increases strength and avoids casting cracks or flaws. No competing product even remotely compares to the capabilities and durability of the **1200GS**.

## 12 OPTIONS, OPTIMIZED EFFICIENCY FOR YOUR APPLICATION

With three product models and more than twelve (12) different compressor options, each application is optimized for maximum efficiency. Compressor wheels are designed to have unique combinations of diameters (inducers and reducers), blade shapes, and number of blades. To control the air flow even more, compressor housings are engineered with different volute designs. Whatever your requirements, **Inovair** has the best blower solution that is optimized for any operating point of airflow. In high volume cases, custom aerodynamic designs have also been implemented.

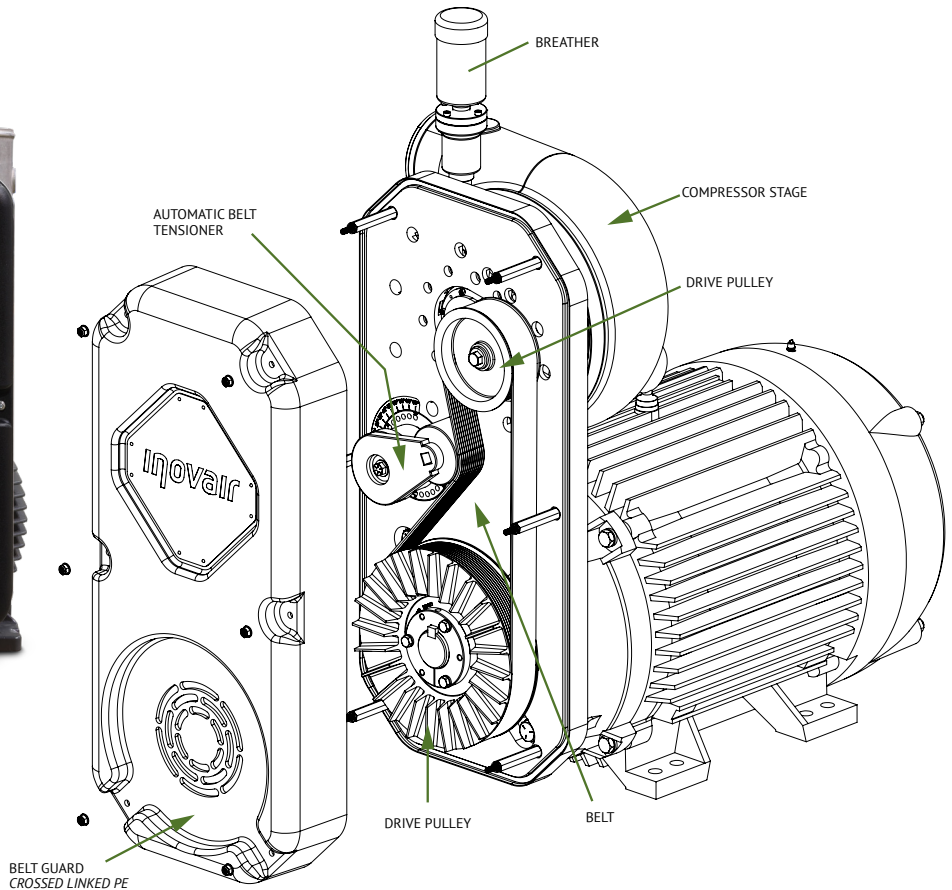


### 1200GS MODEL RANGE

	DESIGN FLOW	DESIGN PRESSURE	MOTOR POWER	
	<b>1200GS-3A</b> 325-1800 SCFM	2-8 PSIG	10-60 HP	
	<b>1200GS-4A</b> 450-2200 SCFM	2-8 PSIG	10-60 HP	
	<b>1200GS-5A</b> 900-3200 SCFM	1.5-7.5 PSIG	10-60 HP	

## MOST DURABLE DRIVE SYSTEM

Our unique drive system is what makes the **Inovair** product so durable. No other product utilizes gearing like that on the **Inovair 1200GS**. Belts struggle with small diameter pulleys, as they cause more belt slippage and put a much high stress or load on the belt. The result is frequent belt changes and/or belt failure. By utilizing a gear step-up in the compressor head unit, the **Inovair 1200GS** has a significantly larger diameter blower pulley and, thus, a drastic improvement in belt life.



## DESIGNED, MANUFACTURED, & SERVICED IN THE USA



When it comes to a supplier's ability to deliver quality and availability, location matters. **Inovair** is not only headquartered in the heartland of America, but most operations, from engineering to manufacturing to service, are within the same facility. Our vertical integration means

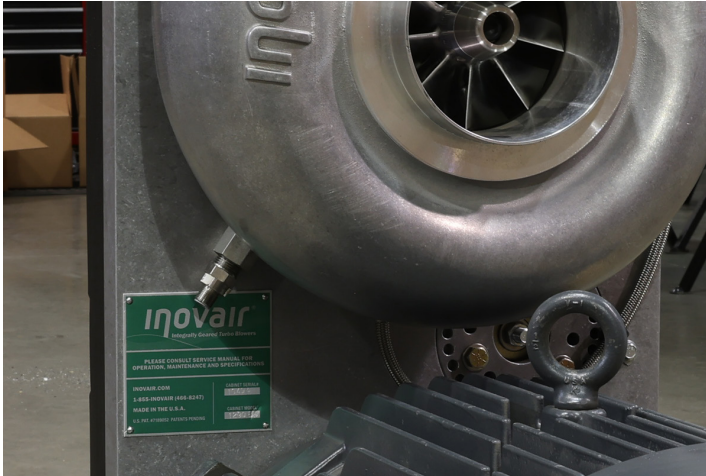
shorter leadtimes for parts and manufacturing. This creates a collaborative environment with lean design, manufacturing, and servicing practices. This product is also available for purchase direct from the **Inovair** factory.

## HASSLE-FREE MAINTENANCE

No more broken belts or frequent belt changes. **Inovair** products are designed to be maintained in the field by the equipment operator in just a few minutes. All our maintenance tasks have instructional videos on our website. Total cost of ownership includes the cost of servicing the unit for the useful life. **Inovairs** products are engineered to require the least effort and lowest cost to maintain.

## INDUSTRY-LEADING SUPPORT

Should an issue arise, **Inovair** technical and customer service, located at our headquarters in Kansas City, is ready to assist immediately. Our customers rave about the service **Inovair** provides before, during, and after the installation. Visit our website for testimonials on our superior service.



1200GS Oil Drain Port



1200GS Oil Fill Port

## GET IN TOUCH WITH INOVAIR

At **Inovair**, we pride ourselves on offering our customers the efficiency and durability they need, with a solution that is simple to maintain and lowers the overall cost of ownership. When you choose **Inovair**, you get the best. Call us today to learn how we can help lower your costs.

SCAN FOR MORE DATA



Learn more about the **1200GS** and how it is the most efficient and reliable forced-air blower for your application.

## TOP MANUFACTURER FOR DECADES

**Inovair** has built a reputation over the past nearly 30 years for quality and excellence. As the **#1 player** in forced-air deicing, supplying exclusively to the US military and considered the “gold standard” for commercial airlines, **Inovair** is a trusted manufacturing partner. Our products are well known in the wastewater and general industrial industries for offering superior technologies and overall lowest cost of ownership. To complement our engineering efforts, we lean on our nearly 30 years of dominance as the leading automotive aftermarket supercharger supplier, where we serve applications up to 4000 hp in the most severe duty cycles imaginable.

