

IM-10

25-50 HP

inovair[®]
Geared Centrifugal Blowers

HIGHEST EFFICIENCY, GREATEST FLEXIBILITY, EASILY INTEGRATED

The **Inovair IM-10** is the the company's lowest HP offering, utilizing proven technology and industry standard components. **Inovair's** long history of innovation and manufacturing leadership allows the company to deliver a unique combination of affordable capital cost and low annual operating expense. Driven by high efficiency, extreme durability, ease of service and industry standard components, this results in the lowest cost of ownership. Inovair's flexible design also allows the use of virtually any brand of electric motor, VFD and control system, and allows customers to easily integrate the packages to fit their needs.

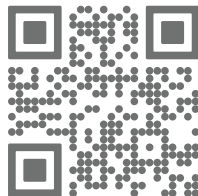
- 10-35% ENERGY SAVINGS
- ALLEN BRADLEY[®] PLC FOR INTELLIGENT CONTROL,
- INDUSTRY STANDARD VFD'S AND TEFC MOTORS
- TOUCHSCREEN INTERFACE
- VERY RELIABLE, PROVEN TECHNOLOGY
- YEARLY OIL CHANGES AT 24/7 OPERATION

THE ULTIMATE BLOWER FOR PACKAGED PLANTS AND LOW HP APPLICATIONS

- The only high efficiency blower which can be "dis-integrated", able to use virtually any electric motor, VFD and control system
- Available with and without enclosure
- Local or OEM system controls
- Designed, manufactured and supported in the USA by Inovair, a vertically integrated manufacturer

SCAN FOR MORE DATA

Learn more about the **IM-10** and how it is the most efficient and reliable forced-air blower for your application.



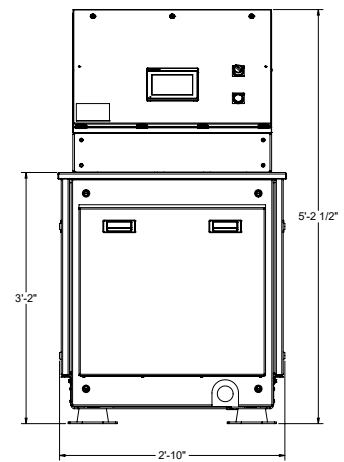
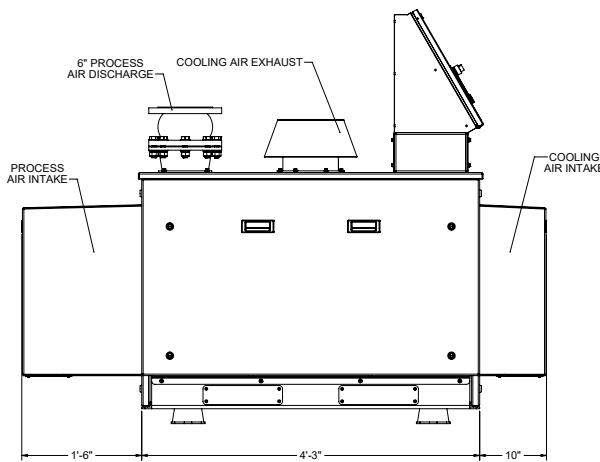
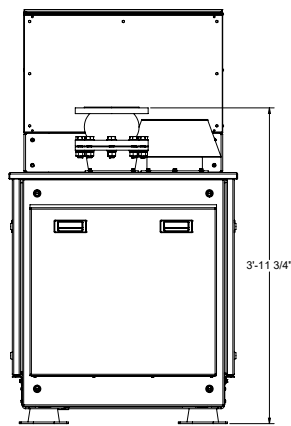
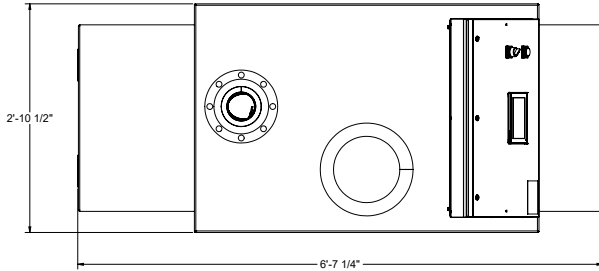
η = Efficiency[®]

INOVAIR ADVANTAGES

- Highest Reliability
- Class-leading Efficiency
- Compact Design
- Industry Leading Support
- Easy Maintenance
- Designed and Made In The USA

TECHNICAL SPECS

Flow Capacity:	300-1,500 scfm
Design Pressure:	Up to 8 psig
Motor Power:	25-50 HP
Drive:	Standard VFD
Input Power:	230V-575V, 60 Hz
Impeller:	5-axis machined 7075-T6 Aluminum
Control System:	Integrated Touchscreen PLC, optional



EASE OF MAINTENANCE

No more broken belts or frequent belt changes. **Inovair** products are designed to be maintained in the field by the equipment operator in just a few minutes. All our maintenance tasks have instructional videos on our website. Total cost of ownership includes the cost of servicing the unit for the useful life. **Inovairs** products are engineered to require the least effort and lowest cost to maintain.

INDUSTRY-LEADING SUPPORT

Should an issue arise, **Inovair** technical and customer service, located at our headquarters in Kansas City, is ready to assist immediately. Our customers rave about the service **Inovair** provides before, during, and after the installation. Visit our website for testimonials on our superior service.

DESIGNED, MANUFACTURED, & SERVICED IN THE USA



When it comes to a supplier's ability to deliver quality and availability, location matters. **Inovair** is not only headquartered in the heartland of America, but most operations, from engineering to manufacturing to service, are within the same facility. Our vertical integration means shorter leadtimes for parts and manufacturing. This creates a collaborative environment with lean design, manufacturing, and servicing practices. This product is also available for purchase direct from the **Inovair** factory.

