

inovair®

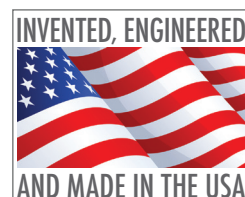
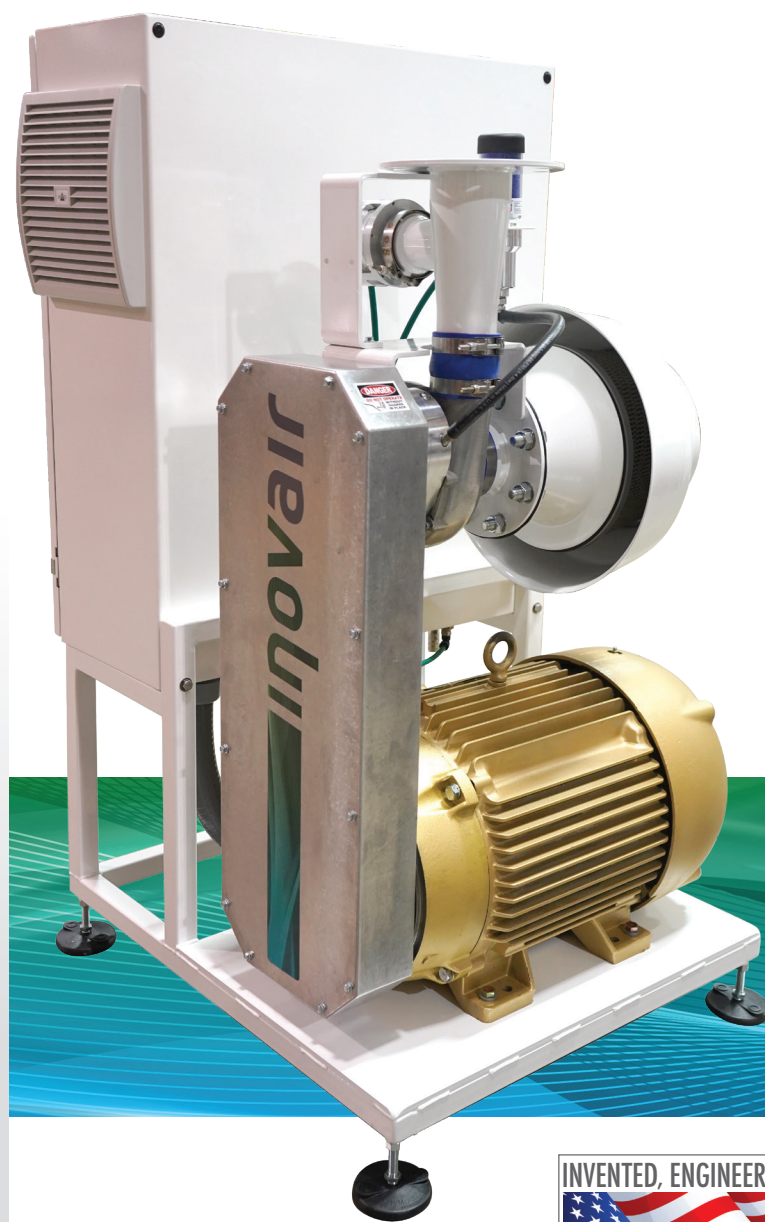
Geared Centrifugal Blowers

IC SERIES 5-50 HP

The Inovair IC Series is the industry's first high efficiency single stage centrifugal blower delivering a cost effective and durable solution for smaller facilities. The innovative IC system design minimizes footprint and allows the use of standard NEMA premium efficiency motors and VFDs, along with a simple and affordable control system.

Thanks to these innovations, the benefits of a modern high efficiency centrifugal design are finally available for lower HP wastewater applications.

- **THE FIRST HIGH EFFICIENCY GEARED CENTRIFUGAL FOR LOWER HP WASTEWATER APPLICATIONS**
- **CAN ACHIEVE 10-35% ENERGY SAVINGS RELATIVE TO PD AND MULTISTAGE BLOWERS**
- **LOWEST COST OF OWNERSHIP**
- **EXTREMELY DURABLE DESIGN**
- **COMPACT FOOTPRINT**
- **AUTOMATIC BELT TENSIONER**
- **HIGH FLOW SYNTHETIC INTAKE FILTER**
- **ADVANCED CONTROLS**



INOVAIR®

Geared Centrifugal Blowers

IC SERIES FEATURES

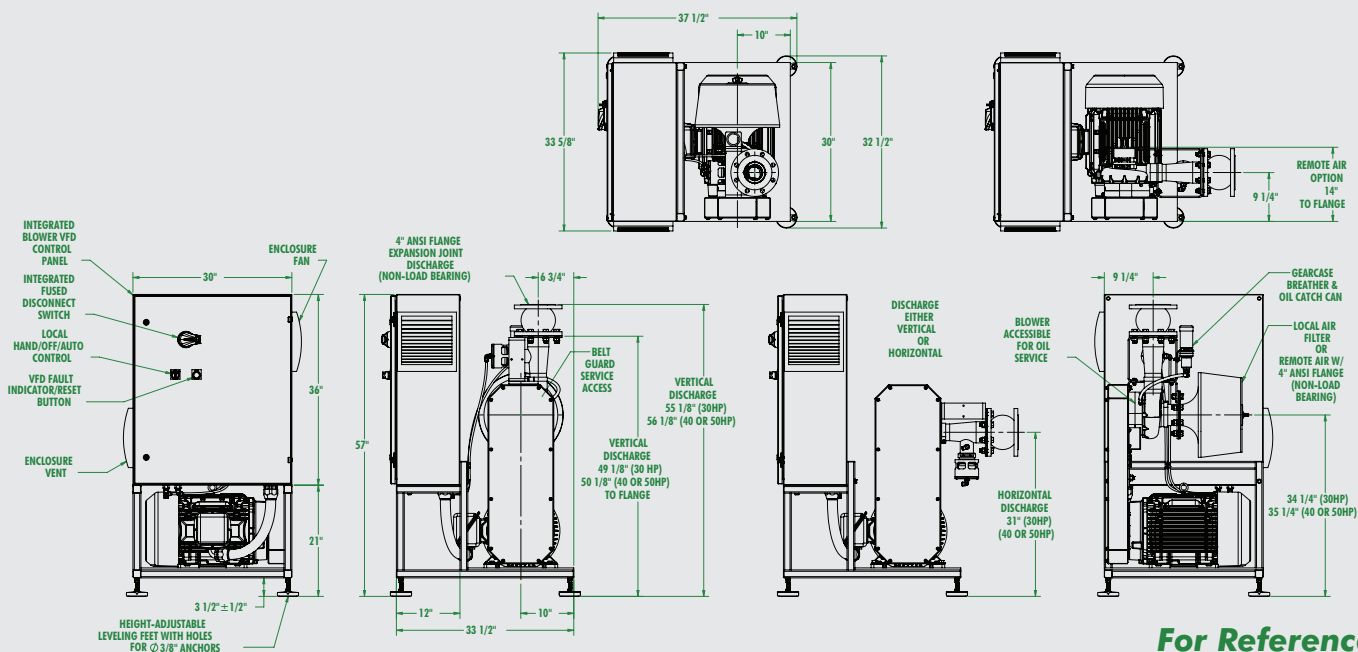
- Proven integrally-gear design
- Industry standard components
- Compact design
- Proven gearbox, with over 15 years of experience in the field
- Efficient and quiet belt drive
- Advanced integrated control system
- Unique transmission design allows use of off-the-shelf, C-Face electric motors
- Lagoon aeration packages now available

TECHNICAL SPECS

Flow Capacity:	150–1200 scfm
Design Pressure:	Up to 8 psig
Turndown Ratio:	Up to 2:1
Motor Power:	5–50 HP Standard NEMA Motor
Drive:	Standard VFD
Input Power:	230V–575V, 60 Hz
Impeller:	5-axis machined 7075-T6 Aluminum
Control System:	Advanced Integrated Controls

INOVAIR ADVANTAGES

- Energy efficient (~80% isentropic)
- Maintenance-friendly
- Engineered and built in the USA
- Capable of multiple start/stop cycles every hour
- Open and Enclosed option for indoor or outdoor installation
- Low noise option (80-95 dBA)
- Can achieve 10–35% energy savings
- Cost effective design to compete against PD and multistage blowers at lower HP levels



For Reference Only